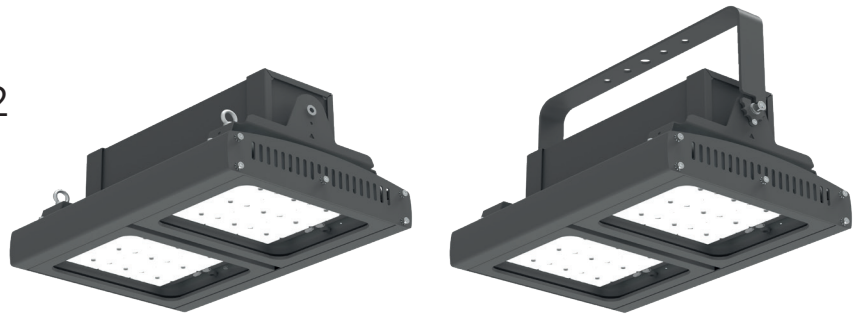
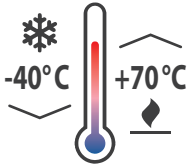


BERGER-N-PRO

IP66 / ZONE 2/21, 22



Adjustable bracket on request only



FTZÚ 22 ATEX 0108X

FTZÚ 22 ATEX 0107X

Application: Robust explosion-proof **HIGH-BAY LED luminaire** designed for lighting of hazardous areas **ATEX ZONE 2/21, 22**. Housing made of extremely durable aluminium (RAL7043). Cover made of clear tempered safety glass. Optic system inside guarantees various lumen curves for different applications. High quality electronic components guarantee **high efficiency up to 179 lm/W and extremely long lifetime 100 000 h even at high temperatures**. **Modular system** allows to choose the luminous output according to project needs. **Dust and water proof with a rating IP66**. It can be operated at temperatures **from -40°C to +70°C**. Excellent heat dissipation due to additional cooling of each luminaire modul. For suspended or surface mounting. Adjustable bracket allows a wide variety of applications.

Ballast: EP – electronic - 220–240 V, 50/60 Hz

Light source: LED, 4000 K, CRI +80, MacAdam3

Housing: Aluminium profile RAL 7043

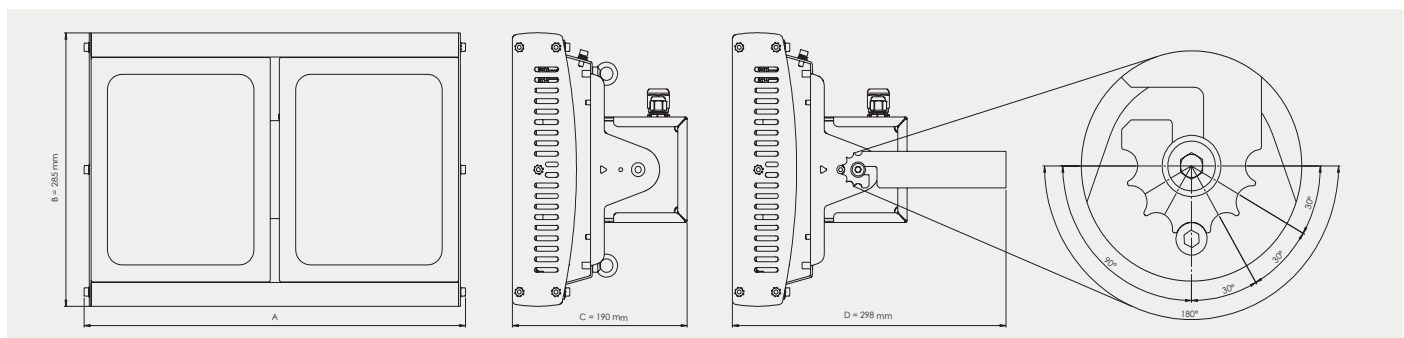
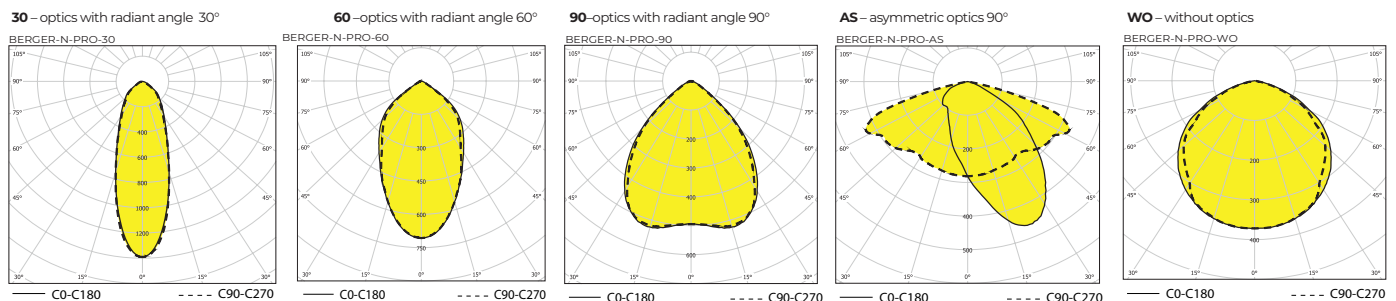
Diffuser: Clear tempered safety glass

Fastening: Suspended by means of brackets or surface mounted by means of adjustable bracket. **Adjustable bracket on request only.**

Connection: By means of 2 m cable. FROST/T40/T50/T60 versions are as standard equipped with plastic cable gland, T70 version is standardly equipped with metal cable gland

Standard equipment: 4x stainless steel suspending M5 bracket, 2 m cable (3x1,5 mm²)

Calculated life time of LED modules: L90B50 Ta25 – 50 000 h; L80B50 Ta25 – 150 000 h; L70B50 Ta70 – 100 000 h



ADVANTAGES:

- Extreme high led lifetime L70B50 Ta70 - 100 000 h even at high temperatures
- Made in Europe - Czech Republic origin
- ATEX certification ZONE 2/21, 22
- Robust housing
- High efficiency up to 179 lm/W
- Luminous flux versions from 8 000 up to 43 000 lm
- Option of adjustable installation
- Variability of declared ambient temperatures

BERGER-N-PRO ZONE 2/ 21
(FTZÚ 22 ATEX 0107X)

- Ⓜ II 3G Ex nR IIC T6...T5 Gc
- Ⓜ II 2D Ex tb op is IIIC T85°C Db

BERGER-N-PRO ZONE 2/ 22
(FTZÚ 22 ATEX 0108X)

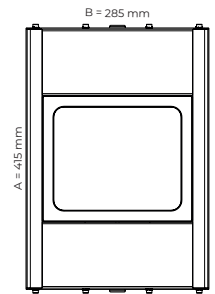
- Ⓜ II 3G Ex nR IIC T6...T5 Gc
- Ⓜ II 3D Ex tc IIIC T85°C Dc

TYPICAL APPLICATION:



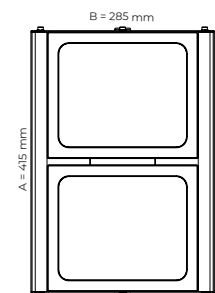
Order number	Name	Lighting fixture luminous flux (lm)	Power input (W)	Rated power output (lm/W)	Ta (°C)	Dimensions of lighting fixture A x B x C (mm)	T-class	Nr. LED modules	Weight (Kg)
Ta 50°C									
AL080848	BERGER-N-PRO-2,21-T50-30-12200-4K-1M, IP66	10031	69	145	-20°C/50°C	415x285x190	T6	1	8,5
AL080800	BERGER-N-PRO-2,21-T50-60-12200-4K-1M, IP66	10767	69	156	-20°C/50°C	415x285x190	T6	1	8,5
AL080801	BERGER-N-PRO-2,21-T50-90-12200-4K-1M, IP66	10922	69	158	-20°C/50°C	415x285x190	T6	1	8,5
AL080849	BERGER-N-PRO-2,21-T50-AS-12200-4K-1M, IP66	9700	69	141	-20°C/50°C	415x285x190	T6	1	8,5
AL080802	BERGER-N-PRO-2,21-T50-WO-12200-4K-1M, IP66	10566	69	153	-20°C/50°C	415x285x190	T6	1	8,5
Ta 60°C									
AL080856	BERGER-N-PRO-2,21-T60-30-9900-4K-1M, IP66	8220	54	152	-20°C/60°C	415x285x190	T5	1	8,5
AL080812	BERGER-N-PRO-2,21-T60-60-9900-4K-1M, IP66	8799	54	163	-20°C/60°C	415x285x190	T5	1	8,5
AL080813	BERGER-N-PRO-2,21-T60-90-9900-4K-1M, IP66	8933	54	165	-20°C/60°C	415x285x190	T5	1	8,5
AL080857	BERGER-N-PRO-2,21-T60-AS-9900-4K-1M, IP66	7948	54	147	-20°C/60°C	415x285x190	T5	1	8,5
AL080814	BERGER-N-PRO-2,21-T60-WO-9900-4K-1M, IP66	8622	54	160	-20°C/60°C	415x285x190	T5	1	8,5
Ta 70°C									
AL080864	BERGER-N-PRO-2,21-T70-30-6350-4K-1M, IP66	5298	33	161	-20°C/70°C	415x285x190	T5	1	8,5
AL080824	BERGER-N-PRO-2,21-T70-60-6350-4K-1M, IP66	5666	33	172	-20°C/70°C	415x285x190	T5	1	8,5
AL080825	BERGER-N-PRO-2,21-T70-90-6350-4K-1M, IP66	5764	33	175	-20°C/70°C	415x285x190	T5	1	8,5
AL080865	BERGER-N-PRO-2,21-T70-AS-6350-4K-1M, IP66	5130	33	155	-20°C/70°C	415x285x190	T5	1	8,5
AL080826	BERGER-N-PRO-2,21-T70-WO-6350-4K-1M, IP66	5580	33	169	-20°C/70°C	415x285x190	T5	1	8,5
Ta -40°C									
AL080872	BERGER-N-PRO-2,21-FROST-30-9900-4K-1M, IP66	8220	54	152	-40°C/50°C	415x285x190	T6	1	8,5
AL080836	BERGER-N-PRO-2,21-FROST-60-9900-4K-1M, IP66	8799	54	163	-40°C/50°C	415x285x190	T6	1	8,5
AL080837	BERGER-N-PRO-2,21-FROST-90-9900-4K-1M, IP66	8933	54	165	-40°C/50°C	415x285x190	T6	1	8,5
AL080873	BERGER-N-PRO-2,21-FROST-AS-9900-4K-1M, IP66	7948	54	147	-40°C/50°C	415x285x190	T6	1	8,5
AL080838	BERGER-N-PRO-2,21-FROST-WO-9900-4K-1M, IP66	8622	54	160	-40°C/50°C	415x285x190	T6	1	8,5

1M - 1 module



Order number	Name	Lighting fixture luminous flux (lm)	Power input (W)	Rated power output (lm/W)	Ta (°C)	Dimensions of lighting fixture A x B x C (mm)	T-class	Nr. LED modules	Weight (Kg)
Ta 50°C									
AL080850	BERGER-N-PRO-2,21-T50-30-24400-4K-2M, IP66	20061	136	148	-20°C/50°C	415x285x190	T6	2	11
AL080803	BERGER-N-PRO-2,21-T50-60-24400-4K-2M, IP66	21534	136	158	-20°C/50°C	415x285x190	T6	2	11
AL080804	BERGER-N-PRO-2,21-T50-90-24400-4K-2M, IP66	21844	136	161	-20°C/50°C	415x285x190	T6	2	11
AL080851	BERGER-N-PRO-2,21-T50-AS-24400-4K-2M, IP66	19399	136	143	-20°C/50°C	415x285x190	T6	2	11
AL080805	BERGER-N-PRO-2,21-T50-WO-24400-4K-2M, IP66	21132	136	155	-20°C/50°C	415x285x190	T6	2	11
Ta 60°C									
AL080858	BERGER-N-PRO-2,21-T60-30-19800-4K-2M, IP66	16439	107	154	-20°C/60°C	415x285x190	T5	2	11
AL080815	BERGER-N-PRO-2,21-T60-60-19800-4K-2M, IP66	17597	107	164	-20°C/60°C	415x285x190	T5	2	11
AL080816	BERGER-N-PRO-2,21-T60-90-19800-4K-2M, IP66	17866	107	167	-20°C/60°C	415x285x190	T5	2	11
AL080859	BERGER-N-PRO-2,21-T60-AS-19800-4K-2M, IP66	15895	107	149	-20°C/60°C	415x285x190	T5	2	11
AL080817	BERGER-N-PRO-2,21-T60-WO-19800-4K-2M, IP66	17243	107	161	-20°C/60°C	415x285x190	T5	2	11
Ta 70°C									
AL080866	BERGER-N-PRO-2,21-T70-30-12700-4K-2M, IP66	10595	67	158	-20°C/70°C	415x285x190	T5	2	11
AL080827	BERGER-N-PRO-2,21-T70-60-12700-4K-2M, IP66	11331	67	169	-20°C/70°C	415x285x190	T5	2	11
AL080828	BERGER-N-PRO-2,21-T70-90-12700-4K-2M, IP66	11528	67	172	-20°C/70°C	415x285x190	T5	2	11
AL080867	BERGER-N-PRO-2,21-T70-AS-12700-4K-2M, IP66	10259	67	153	-20°C/70°C	415x285x190	T5	2	11
AL080829	BERGER-N-PRO-2,21-T70-WO-12700-4K-2M, IP66	11160	67	167	-20°C/70°C	415x285x190	T5	2	11
Ta -40°C									
AL080874	BERGER-N-PRO-2,21-FROST-30-19800-4K-2M, IP66	16439	107	154	-40°C/50°C	415x285x190	T6	2	11
AL080839	BERGER-N-PRO-2,21-FROST-60-19800-4K-2M, IP66	17597	107	164	-40°C/50°C	415x285x190	T6	2	11
AL080840	BERGER-N-PRO-2,21-FROST-90-19800-4K-2M, IP66	17866	107	167	-40°C/50°C	415x285x190	T6	2	11
AL080875	BERGER-N-PRO-2,21-FROST-AS-19800-4K-2M, IP66	15895	107	149	-40°C/50°C	415x285x190	T6	2	11
AL080841	BERGER-N-PRO-2,21-FROST-WO-19800-4K-2M, IP66	17243	107	161	-40°C/50°C	415x285x190	T6	2	11

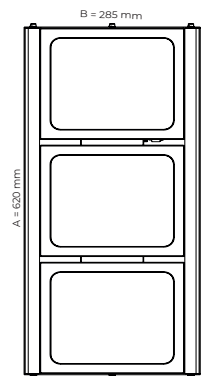
2M - 2 modules



Tolerance of luminous flux and power input of the lighting fixture +/- 10%

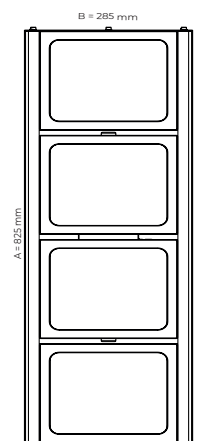
Order number	Name	Lighting fixture luminous flux (lm)	Power input (W)	Rated power output (lm/W)	Ta (°C)	Dimensions of lighting fixture A x B x C (mm)	T-class	Nr. LED modules	Weight (Kg)
Ta 50°C									
AL080852	BERGER-N-PRO-2,21-T50-30-36600-4K-3M, IP66	29812	204	146	-20°C/50°C	620x285x190	T6	3	14
AL080806	BERGER-N-PRO-2,21-T50-60-36600-4K-3M, IP66	32252	204	158	-20°C/50°C	620x285x190	T6	3	14
AL080807	BERGER-N-PRO-2,21-T50-90-36600-4K-3M, IP66	32726	204	160	-20°C/50°C	620x285x190	T6	3	14
AL080853	BERGER-N-PRO-2,21-T50-AS-36600-4K-3M, IP66	29159	204	143	-20°C/50°C	620x285x190	T6	3	14
AL080808	BERGER-N-PRO-2,21-T50-WO-36600-4K-3M, IP66	31659	204	155	-20°C/50°C	620x285x190	T6	3	14
Ta 60°C									
AL080860	BERGER-N-PRO-2,21-T60-30-26200-4K-3M, IP66	21603	144	150	-20°C/60°C	620x285x190	T5	3	14
AL080818	BERGER-N-PRO-2,21-T60-60-26200-4K-3M, IP66	23408	144	163	-20°C/60°C	620x285x190	T5	3	14
AL080819	BERGER-N-PRO-2,21-T60-90-26200-4K-3M, IP66	23622	144	164	-20°C/60°C	620x285x190	T5	3	14
AL080861	BERGER-N-PRO-2,21-T60-AS-26200-4K-3M, IP66	21060	144	146	-20°C/60°C	620x285x190	T5	3	14
AL080820	BERGER-N-PRO-2,21-T60-WO-26200-4K-3M, IP66	22899	144	159	-20°C/60°C	620x285x190	T5	3	14
Ta 70°C									
AL080868	BERGER-N-PRO-2,21-T70-30-17800-4K-3M, IP66	14748	94	157	-20°C/70°C	620x285x190	T5	3	14
AL080830	BERGER-N-PRO-2,21-T70-60-17800-4K-3M, IP66	16002	94	170	-20°C/70°C	620x285x190	T5	3	14
AL080831	BERGER-N-PRO-2,21-T70-90-17800-4K-3M, IP66	16130	94	172	-20°C/70°C	620x285x190	T5	3	14
AL080869	BERGER-N-PRO-2,21-T70-AS-17800-4K-3M, IP66	14346	94	153	-20°C/70°C	620x285x190	T5	3	14
AL080832	BERGER-N-PRO-2,21-T70-WO-17800-4K-3M, IP66	15641	94	166	-20°C/70°C	620x285x190	T5	3	14
Ta -40°C									
AL080876	BERGER-N-PRO-2,21-FROST-30-26200-4K-3M, IP66	21603	144	150	-40°C/50°C	620x285x190	T6	3	14
AL080842	BERGER-N-PRO-2,21-FROST-60-26200-4K-3M, IP66	23408	144	163	-40°C/50°C	620x285x190	T6	3	14
AL080843	BERGER-N-PRO-2,21-FROST-90-26200-4K-3M, IP66	23622	144	164	-40°C/50°C	620x285x190	T6	3	14
AL080877	BERGER-N-PRO-2,21-FROST-AS-26200-4K-3M, IP66	21060	144	146	-40°C/50°C	620x285x190	T6	3	14
AL080844	BERGER-N-PRO-2,21-FROST-WO-26200-4K-3M, IP66	22899	144	159	-40°C/50°C	620x285x190	T6	3	14

3M - 3 modules



Order number	Name	Lighting fixture luminous flux (lm)	Power input (W)	Rated power output (lm/W)	Ta (°C)	Dimensions of lighting fixture A x B x C (mm)	T-class	Nr. LED modules	Weight (Kg)
Ta 40°C									
AL080854	BERGER-N-PRO-2,21-T40-30-48800-4K-4M, IP66	39749	287	138	-20°C/40°C	825x285x190	T6	4	17
AL080809	BERGER-N-PRO-2,21-T40-60-48800-4K-4M, IP66	43002	287	150	-20°C/40°C	825x285x190	T6	4	17
AL080810	BERGER-N-PRO-2,21-T40-90-48800-4K-4M, IP66	43634	287	152	-20°C/40°C	825x285x190	T6	4	17
AL080855	BERGER-N-PRO-2,21-T40-AS-48800-4K-4M, IP66	38879	287	135	-20°C/40°C	825x285x190	T6	4	17
AL080811	BERGER-N-PRO-2,21-T40-WO-48800-4K-4M, IP66	42212	287	147	-20°C/40°C	825x285x190	T6	4	17
Ta 60°C									
AL080862	BERGER-N-PRO-2,21-T60-30-30200-4K-4M, IP66	24897	163	153	-20°C/60°C	825x285x190	T5	4	17
AL080821	BERGER-N-PRO-2,21-T60-60-30200-4K-4M, IP66	26977	163	166	-20°C/60°C	825x285x190	T5	4	17
AL080822	BERGER-N-PRO-2,21-T60-90-30200-4K-4M, IP66	27224	163	167	-20°C/60°C	825x285x190	T5	4	17
AL080863	BERGER-N-PRO-2,21-T60-AS-30200-4K-4M, IP66	24271	163	149	-20°C/60°C	825x285x190	T5	4	17
AL080823	BERGER-N-PRO-2,21-T60-WO-30200-4K-4M, IP66	26391	163	162	-20°C/60°C	825x285x190	T5	4	17
Ta 70°C									
AL080870	BERGER-N-PRO-2,21-T70-30-24150-4K-4M, IP66	20012	122	164	-20°C/70°C	825x285x190	T5	4	17
AL080833	BERGER-N-PRO-2,21-T70-60-24150-4K-4M, IP66	21714	122	178	-20°C/70°C	825x285x190	T5	4	17
AL080834	BERGER-N-PRO-2,21-T70-90-24150-4K-4M, IP66	21888	122	179	-20°C/70°C	825x285x190	T5	4	17
AL080871	BERGER-N-PRO-2,21-T70-AS-24150-4K-4M, IP66	19466	122	160	-20°C/70°C	825x285x190	T5	4	17
AL080835	BERGER-N-PRO-2,21-T70-WO-24150-4K-4M, IP66	21224	122	174	-20°C/70°C	825x285x190	T5	4	17
Ta -40°C									
AL080878	BERGER-N-PRO-2,21-FROST-30-30200-4K-4M, IP66	24897	163	153	-40°C/50°C	825x285x190	T6	4	17
AL080845	BERGER-N-PRO-2,21-FROST-60-30200-4K-4M, IP66	26977	163	166	-40°C/50°C	825x285x190	T6	4	17
AL080846	BERGER-N-PRO-2,21-FROST-90-30200-4K-4M, IP66	27224	163	167	-40°C/50°C	825x285x190	T6	4	17
AL080879	BERGER-N-PRO-2,21-FROST-AS-30200-4K-4M, IP66	24271	163	149	-40°C/50°C	825x285x190	T6	4	17
AL080847	BERGER-N-PRO-2,21-FROST-WO-30200-4K-4M, IP66	26391	163	162	-40°C/50°C	825x285x190	T6	4	17

4M - 4 modules

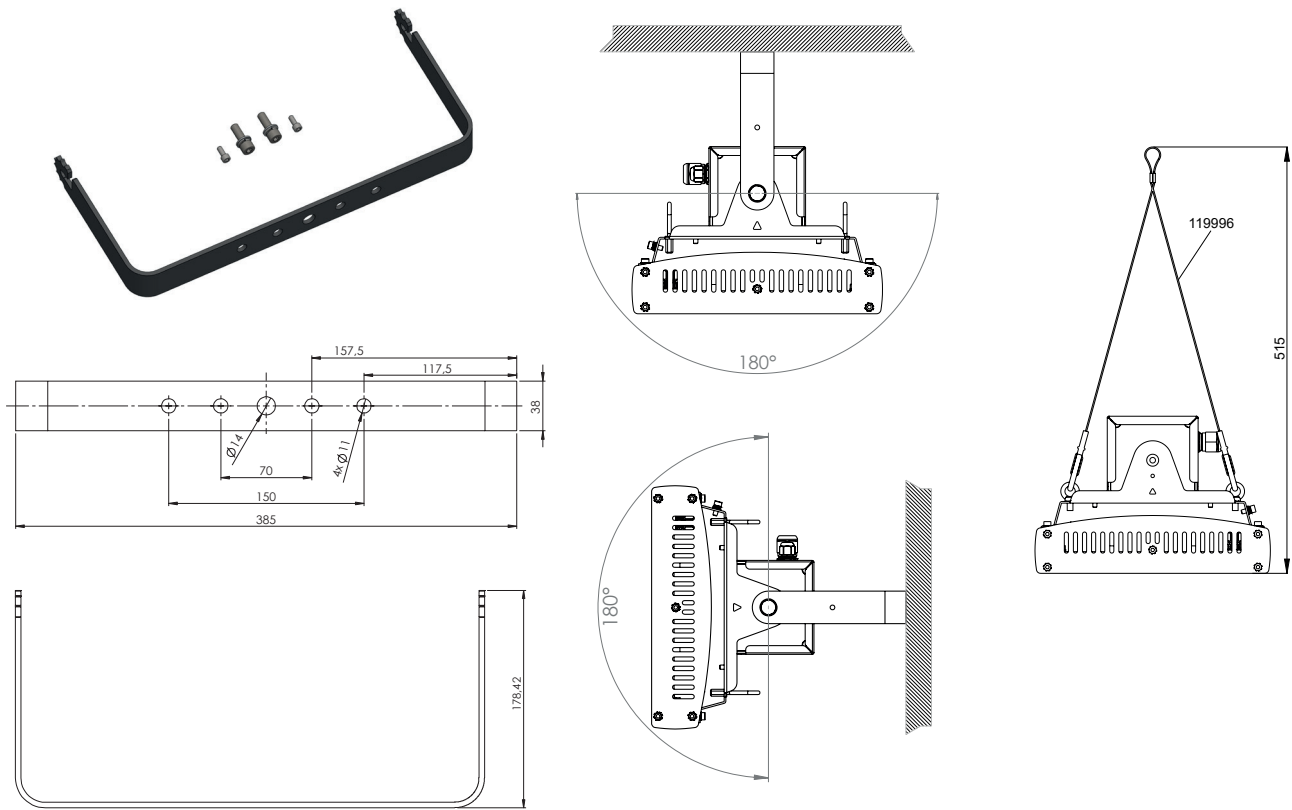


Tolerance of luminous flux and power input of the lighting fixture +/- 10%

Accessories on request

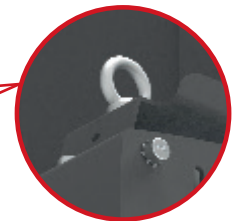
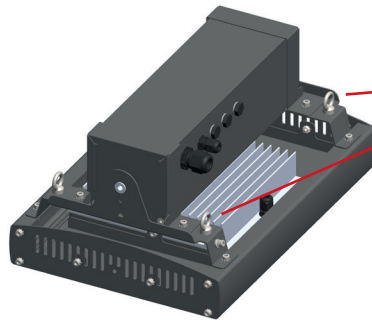
AL051229 - Adjustable bracket BERGER (painted steel, colour grey RAL 7043)

AL051235 - Certified galvanized hanger cable BERGER 0,3 m - Y (set 2pc), 2-point-mounting-indoor areas only



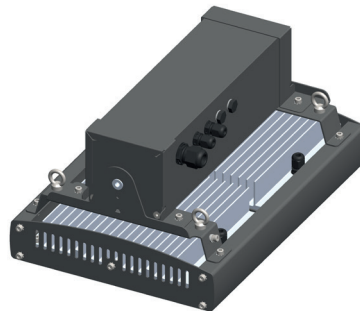
Light fixture variants according to the number of modules

1M - 1 module

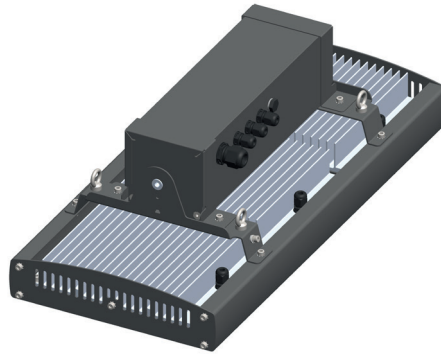


Standard equipment
stainless steel bracket

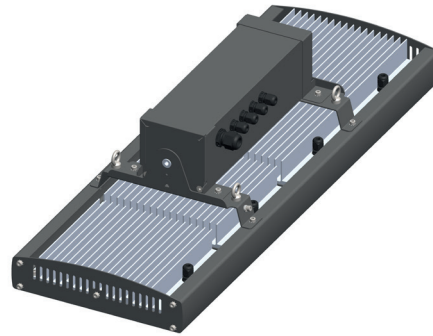
2M - 2 modules



3M - 3 modules



4M - 4 modules



On request

DIM – dimmable electronic ballast (DALI)

2700/3000/4000/5000/5700/6500 K - colour temperature

Use of lighting fixtures in areas with danger of explosion

Marking of external influences

Area classification

		Area classification	
		Marking	Directive
Danger of explosion of flammable dust	BE3N1	ZONE 21, 22	ČSN EN 60079-14, ČSN EN 60079-10-2
Danger of explosion of flammable gases and vapours	BE3N2	ZONE 2	ČSN EN 60079-14, ČSN EN 60079-10-1