

LINTEC 190



LINTEC 310



LINTEC 1170



LINTEC TECH

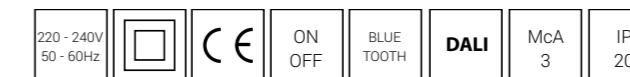


L I N T E C 1 9 0

DATASHEET



LINTEC 190



COLOR OPTIONS



BLACK RAL 9005
 WHITE RAL 9003
 GREY RAL 9006
 VARIOUS COLORS

PRODUCT DATA

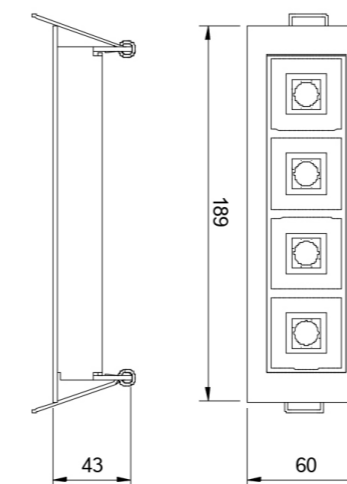
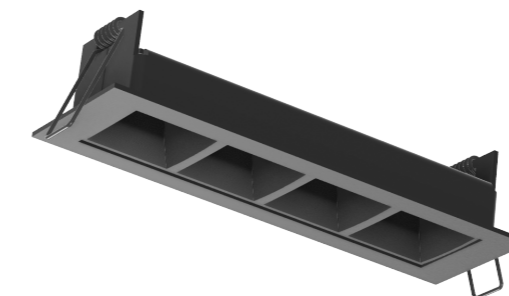
Size : 199 x 60 x 43 mm
 Weight : 0,4 kg
 Materials : Housing : Aluminium
 Refl ctor: Polycarbonate
 Optic : Lens 80 °
 Light distribution : Direct
 Driver : FIX, DALI, Bluetooth (inside ceiling)
 Ambient temperature : 0 / + 35 °C
 Lifetime : L90B10 - 60 000 hours
 Installation : ceiling recessed, surface mounted
 Ceiling cutout : 52 x 180 mm

TECHNICAL SPECIFICATION

CODE	POWER	CRI	CCT	LUMEN
LINLD190	6 W	> 90	3000 K	660 lm
LINLD190	6 W	> 90	4000 K	690 lm
LINLD190	6 W	> 90	2700 - 6500 K	630 lm
LINLD190	8 W	> 90	3000 K	980 lm
LINLD190	8 W	> 90	4000 K	1020 lm

Order example:

LINLD190	- Power	-	CRI / CCT	-	Beam	-	Color	-	Driver	-	Option
LINLD190	- 6	-	930	-	80	-	9003	-	FIX	-	XYZ



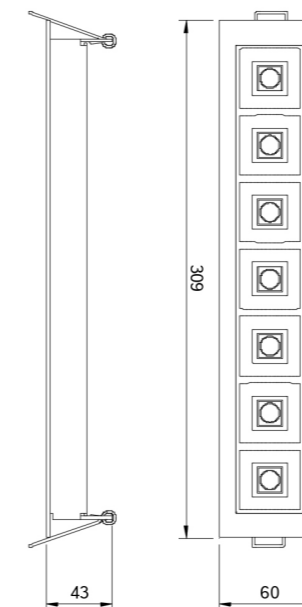


L I N T E C 3 1 0

LINTEC 310



COLOR OPTIONS



PRODUCT DATA

Size : 309 x 60 x 43 mm
Weight : 0,6 kg
Materials : Housing : Aluminium
 Refl ctor: Polycarbonate
Optic : Lens 80 °
Light distribution : Direct
Driver : FIX, DALI, Bluetooth (inside ceiling)
Ambient temperature : 0 / + 35 °C
Lifetime : L90B10 - 60 000 hours
Installation : ceiling recessed, surface mounted
Ceiling cutout : 52 x 300 mm

TECHNICAL SPECIFICATION

CODE	POWER	CRI	CCT	LUMEN
LINLD310	9 W	> 90	3000 K	1160 lm
LINLD310	9 W	> 90	4000 K	1210 lm
LINLD310	7 W	> 90	2700 - 6500 K	830 lm
LINLD310	14 W	> 90	3000 K	1720 lm
LINLD310	14 W	> 90	4000 K	1790 lm

Order example:

LINLD310	- Power	-	CRI / CCT	-	Beam	-	Color	-	Driver	-	Option
LINLD310	- 9	-	930	-	80	-	9003	-	FIX	-	XYZ

LINTEC 1170

Contactez ALUMA SVP