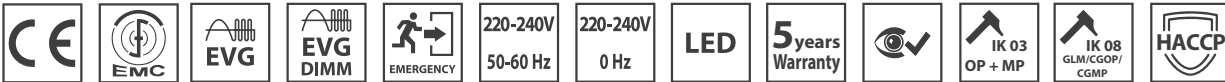


ODIS-PRO-M598

IP66/IP50



Application: Recessed LED lighting fixture designed for clean areas in hospitals (operating theatres, Intensive Care Units, ambulances, surgery rooms, etc.), laboratories, microelectronics production, food industry. Housing made of white painted steel sheet (RAL9016), stainless steel AISI304 or AISI316 as option. Diffuser made of clear glass in combination with opal or microprismatic diffuser, opal or microprismatic plastic diffuser. **Clean screwless design for easy cleaning. Rounded edges of the frame eliminates the sediments and bacteriums creation.** Equipped with high quality electronic components for high lifetime up to 100 000 h and efficiency up to 164 lm/W. As standard also available versions with CRI>90 and UGR<19. Characterized by high lower degree of protection (IP66). Suitable for ambient temperatures from -20°C up to 60°C. Classified for clean areas in compliance with ISO 14644-1. Connection by means of ADELS connector with no need to open luminaire – fast mounting and low costs for installation. Large variability of luminaires according to installation types - false ceiling M600/625, metal ceiling M598/M623 or plasterboard / other atypical ceilings.

Ballast: EP – electronic 220-240 V/ 50-60 Hz AC, 220-240 V DC 0Hz

Light source: LED, 4000 K, CRI 80/90+, MacAdam3

Housing: White painted steel sheet RAL 9016

Diffuser: GLM – matt tempered safety glass

OP – opal plexiglass

MP – microprismatic plexiglass

CGOP - clear tempered safety glass + opal plexiglass

CGMP - clear tempered safety glass + microprismatic plexiglass

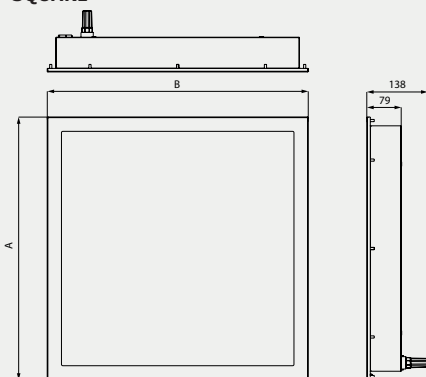
Fastening: Installation using nivellation set for metal suspended ceilings M598 / M623 (included). Minimum height of mounting space is 200 mm

Connection: Connection by means of ADELS connector, maximum cross section of wires 2,5 mm²

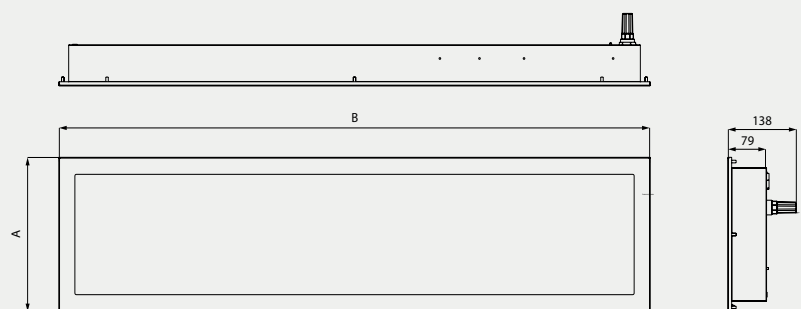
Standard equipment: ADELS connector – fast connection with no need to open the luminaire and nivellation set for metal suspended ceilings (4 pcs fastening holders)

Calculated lifetime – LED modules: L80B10 Ta30 – 70 000 h, L70B10 Ta30 – 100 000 h

SQ - SQUARE



R - RECTANGULAR



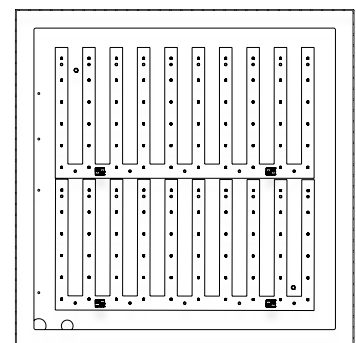
ADVANTAGES

- European product – Made in Czech Republic
- Elimination of sediments and easy cleaning because of clean screwless design
- Extreme fast installation because of used connector, no need to open luminaire
- Certified for clean areas in compliance with ISO 14644-1 class 4-9
- Wide variability of diffusers for different applications
- High energy efficiency up to 164 lm/W
- Homogenous lighting distribution

ODIS-PRO

Full-screen LED modules inside.

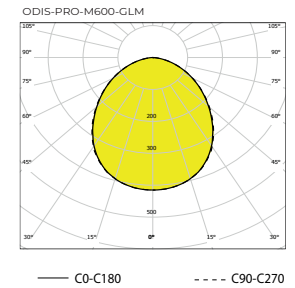
This premium luminaire variant is characterised by homogenous light dispersion.



Order number	Name	Lighting fixture luminous flux (lm)	Power input (W)	Rated power output (lm/W)	Ta max (°C)	Dimensions of lighting fixture A x B x C (mm)	Weight (kg)
SQ840							
085120	ODIS-PRO-M598-SQ-GLM-3300-840, IP66/IP50	2750	17	162	60	598x598x79	11,5
085121	ODIS-PRO-M598-SQ-GLM-4800-840, IP66/IP50	4069	27	151	60	598x598x79	11,5
085122	ODIS-PRO-M598-SQ-GLM-6300-840, IP66/IP50	5357	37	145	60	598x598x79	11,5
085123	ODIS-PRO-M598-SQ-GLM-7200-840, IP66/IP50	6205	41	151	60	598x598x79	11,5
085124	ODIS-PRO-M598-SQ-GLM-8700-840, IP66/IP50	7443	49	152	60	598x598x79	11,5
085125	ODIS-PRO-M598-SQ-GLM-12000-840, IP66/IP50	10224	70	146	45	598x598x79	11,5
R840							
085150	ODIS-PRO-M598-R-GLM-3300-840, IP66/IP50	2553	17	150	60	1198x298x79	11,5
085151	ODIS-PRO-M598-R-GLM-4800-840, IP66/IP50	3792	27	140	60	1198x298x79	11,5
085152	ODIS-PRO-M598-R-GLM-6300-840, IP66/IP50	4992	37	135	60	1198x298x79	11,5
085153	ODIS-PRO-M598-R-GLM-7200-840, IP66/IP50	5754	41	140	60	1198x298x79	11,5
085154	ODIS-PRO-M598-R-GLM-8700-840, IP66/IP50	6869	49	140	55	1198x298x79	11,5
085155	ODIS-PRO-M598-R-GLM-12000-840, IP66/IP50	9528	70	136	45	1198x298x79	11,5
SQ940							
085420	ODIS-PRO-M598-SQ-GLM-3300-940, IP66/IP50	2337	17	137	60	598x598x79	11,5
085421	ODIS-PRO-M598-SQ-GLM-4800-940, IP66/IP50	3459	27	128	60	598x598x79	11,5
085422	ODIS-PRO-M598-SQ-GLM-6300-940, IP66/IP50	4554	37	123	60	598x598x79	11,5
085423	ODIS-PRO-M598-SQ-GLM-7200-940, IP66/IP50	5275	41	129	60	598x598x79	11,5
085424	ODIS-PRO-M598-SQ-GLM-8700-940, IP66/IP50	6326	49	129	60	598x598x79	11,5
085425	ODIS-PRO-M598-SQ-GLM-12000-940, IP66/IP50	8690	70	124	45	598x598x79	11,5
R940							
085450	ODIS-PRO-M598-R-GLM-3300-940, IP66/IP50	2172	17	128	60	1198x298x79	11,5
085451	ODIS-PRO-M598-R-GLM-4800-940, IP66/IP50	3223	27	119	60	1198x298x79	11,5
085452	ODIS-PRO-M598-R-GLM-6300-940, IP66/IP50	4246	37	115	60	1198x298x79	11,5
085453	ODIS-PRO-M598-R-GLM-7200-940, IP66/IP50	4894	41	119	60	1198x298x79	11,5
085454	ODIS-PRO-M598-R-GLM-8700-940, IP66/IP50	5840	49	119	55	1198x298x79	11,5
085455	ODIS-PRO-M598-R-GLM-12000-940, IP66/IP50	8098	70	116	45	1198x298x79	11,5

Tolerance of luminous flux and power input of the lighting fixture +/- 10%

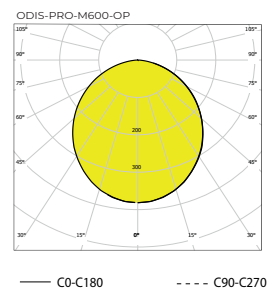
GLM – matt tempered safety glass



Order number	Name	Lighting fixture luminous flux (lm)	Power input (W)	Rated power output (lm/W)	Ta max (°C)	Dimensions of lighting fixture A x B x C (mm)	Weight (kg)
SQ840							
AL085126	ODIS-PRO-M598-SQ-OP-3300-840, IP66/IP50	2653	17	156	60	598x598x79	7,5
AL085127	ODIS-PRO-M598-SQ-OP-4800-840, IP66/IP50	3925	27	145	60	598x598x79	7,5
AL085128	ODIS-PRO-M598-SQ-OP-6300-840, IP66/IP50	5168	37	140	60	598x598x79	7,5
AL085129	ODIS-PRO-M598-SQ-OP-7200-840, IP66/IP50	5987	41	146	60	598x598x79	7,5
AL085130	ODIS-PRO-M598-SQ-OP-8700-840, IP66/IP50	7180	49	147	60	598x598x79	7,5
AL085131	ODIS-PRO-M598-SQ-OP-12000-840, IP66/IP50	9864	70	141	45	598x598x79	7,5
R840							
AL085156	ODIS-PRO-M598-R-OP-3300-840, IP66/IP50	2447	17	144	60	1198x298x79	7,5
AL085157	ODIS-PRO-M598-R-OP-4800-840, IP66/IP50	3634	27	135	60	1198x298x79	7,5
AL085158	ODIS-PRO-M598-R-OP-6300-840, IP66/IP50	4785	37	129	60	1198x298x79	7,5
AL085159	ODIS-PRO-M598-R-OP-7200-840, IP66/IP50	5515	41	135	60	1198x298x79	7,5
AL085160	ODIS-PRO-M598-R-OP-8700-840, IP66/IP50	6584	49	134	60	1198x298x79	7,5
AL085161	ODIS-PRO-M598-R-OP-12000-840, IP66/IP50	9132	70	130	45	1198x298x79	7,5
SQ940							
AL085426	ODIS-PRO-M598-SQ-OP-3300-940, IP66/IP50	2255	17	133	60	598x598x79	7,5
AL085427	ODIS-PRO-M598-SQ-OP-4800-940, IP66/IP50	3337	27	124	60	598x598x79	7,5
AL085428	ODIS-PRO-M598-SQ-OP-6300-940, IP66/IP50	4394	37	119	60	598x598x79	7,5
AL085429	ODIS-PRO-M598-SQ-OP-7200-940, IP66/IP50	5089	41	124	60	598x598x79	7,5
AL085430	ODIS-PRO-M598-SQ-OP-8700-940, IP66/IP50	6104	49	125	60	598x598x79	7,5
AL085431	ODIS-PRO-M598-SQ-OP-12000-940, IP66/IP50	8384	70	120	45	598x598x79	7,5
R940							
AL085456	ODIS-PRO-M598-R-OP-3300-940, IP66/IP50	2082	17	122	60	1198x298x79	7,5
AL085457	ODIS-PRO-M598-R-OP-4800-940, IP66/IP50	3089	27	114	60	1198x298x79	7,5
AL085458	ODIS-PRO-M598-R-OP-6300-940, IP66/IP50	4069	37	110	60	1198x298x79	7,5
AL085459	ODIS-PRO-M598-R-OP-7200-940, IP66/IP50	4690	41	114	60	1198x298x79	7,5
AL085460	ODIS-PRO-M598-R-OP-8700-940, IP66/IP50	5597	49	114	55	1198x298x79	7,5
AL085461	ODIS-PRO-M598-R-OP-12000-940, IP66/IP50	7762	70	111	45	1198x298x79	7,5

Tolerance of luminous flux and power input of the lighting fixture +/- 10%

OP - opal plexiglass

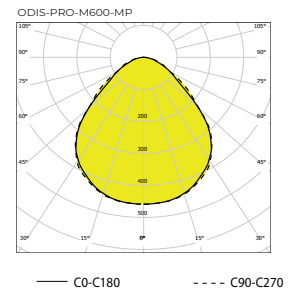


MP - microprismatic plexiglass

Order number	Name	Lighting fixture luminous flux (lm)		Rated power output (lm/W)	Ta max (°C)	Dimensions of lighting fixture A x B x C (mm)	Weight (kg)
SQ840							
AL085132	ODIS-PRO-M598-SQ-MP-3300-840, IP66/IP50	2788	17	164	60	598x598x79	7,5
AL085133	ODIS-PRO-M598-SQ-MP-4800-840, IP66/IP50	4126	27	153	60	598x598x79	7,5
AL085134	ODIS-PRO-M598-SQ-MP-6300-840, IP66/IP50	5432	37	147	60	598x598x79	7,5
AL085135	ODIS-PRO-M598-SQ-MP-7200-840, IP66/IP50	6293	41	153	60	598x598x79	7,5
AL085136	ODIS-PRO-M598-SQ-MP-8700-840, IP66/IP50	7547	49	154	60	598x598x79	7,5
AL085137	ODIS-PRO-M598-SQ-MP-12000-840, IP66/IP50	10368	70	148	45	598x598x79	7,5
R840							
AL085162	ODIS-PRO-M598-R-MP-3300-840, IP66/IP50	2582	17	152	60	1198x298x79	7,5
AL085163	ODIS-PRO-M598-R-MP-4800-840, IP66/IP50	3835	27	142	60	1198x298x79	7,5
AL085164	ODIS-PRO-M598-R-MP-6300-840, IP66/IP50	5049	37	136	60	1198x298x79	7,5
AL085165	ODIS-PRO-M598-R-MP-7200-840, IP66/IP50	5820	41	142	60	1198x298x79	7,5
AL085166	ODIS-PRO-M598-R-MP-8700-840, IP66/IP50	6947	49	142	55	1198x298x79	7,5
AL085167	ODIS-PRO-M598-R-MP-12000-840, IP66/IP50	9636	70	138	45	1198x298x79	7,5
SQ940							
AL085432	ODIS-PRO-M598-SQ-MP-3300-940, IP66/IP50	2370	17	139	60	598x598x79	7,5
AL085433	ODIS-PRO-M598-SQ-MP-4800-940, IP66/IP50	3507	27	130	60	598x598x79	7,5
AL085434	ODIS-PRO-M598-SQ-MP-6300-940, IP66/IP50	4618	37	125	60	598x598x79	7,5
AL085435	ODIS-PRO-M598-SQ-MP-7200-940, IP66/IP50	5349	41	130	60	598x598x79	7,5
AL085436	ODIS-PRO-M598-SQ-MP-8700-940, IP66/IP50	6416	49	131	60	598x598x79	7,5
AL085437	ODIS-PRO-M598-SQ-MP-12000-940, IP66/IP50	8812	70	126	45	598x598x79	7,5
R940							
AL085462	ODIS-PRO-M598-R-MP-3300-940, IP66/IP50	2197	17	129	60	1198x298x79	7,5
AL085463	ODIS-PRO-M598-R-MP-4800-940, IP66/IP50	3260	27	121	60	1198x298x79	7,5
AL085464	ODIS-PRO-M598-R-MP-6300-940, IP66/IP50	4294	37	116	60	1198x298x79	7,5
AL085465	ODIS-PRO-M598-R-MP-7200-940, IP66/IP50	4949	41	121	60	1198x298x79	7,5
AL085466	ODIS-PRO-M598-R-MP-8700-940, IP66/IP50	5906	49	121	55	1198x298x79	7,5
AL085467	ODIS-PRO-M598-R-MP-12000-940, IP66/IP50	8190	70	117	45	1198x298x79	7,5

Tolerance of luminous flux and power input of the lighting fixture +/- 10%

MP – microprismatic plexiglass

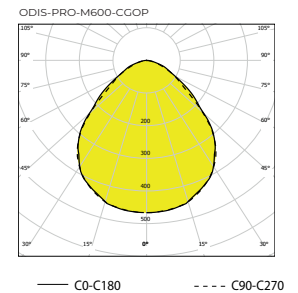


CGOP - clear tempered safety glass + opal plexiglass

Order number	Name	Lighting fixture luminous flux (lm)		Rated power output (lm/W)	Ta max (°C)	Dimensions of lighting fixture A x B x C (mm)	Weight (kg)
SQ840							
AL085138	ODIS-PRO-M598-SQ-CGOP-3300-840, IP66/IP50	2592	17	152	60	598x598x79	11,5
AL085139	ODIS-PRO-M598-SQ-CGOP-4800-840, IP66/IP50	3835	27	142	60	598x598x79	11,5
AL085140	ODIS-PRO-M598-SQ-CGOP-6300-840, IP66/IP50	5049	37	136	60	598x598x79	11,5
AL085141	ODIS-PRO-M598-SQ-CGOP-7200-840, IP66/IP50	5849	41	143	60	598x598x79	11,5
AL085142	ODIS-PRO-M598-SQ-CGOP-8700-840, IP66/IP50	7015	49	143	60	598x598x79	11,5
AL085143	ODIS-PRO-M598-SQ-CGOP-12000-840, IP66/IP50	9636	70	138	45	598x598x79	11,5
R840							
AL085168	ODIS-PRO-M598-R-CGOP-3300-840, IP66/IP50	2389	17	141	60	1198x298x79	11,5
AL085169	ODIS-PRO-M598-R-CGOP-4800-840, IP66/IP50	3548	27	131	60	1198x298x79	11,5
AL085170	ODIS-PRO-M598-R-CGOP-6300-840, IP66/IP50	4671	37	126	60	1198x298x79	11,5
AL085171	ODIS-PRO-M598-R-CGOP-7200-840, IP66/IP50	5385	41	131	60	1198x298x79	11,5
AL085172	ODIS-PRO-M598-R-CGOP-8700-840, IP66/IP50	6428	49	131	60	1198x298x79	11,5
AL085173	ODIS-PRO-M598-R-CGOP-12000-840, IP66/IP50	8916	70	127	45	1198x298x79	11,5
SQ940							
AL085438	ODIS-PRO-M598-SQ-CGOP-3300-940, IP66/IP50	2203	17	130	60	598x598x79	11,5
AL085439	ODIS-PRO-M598-SQ-CGOP-4800-940, IP66/IP50	3260	27	121	60	598x598x79	11,5
AL085440	ODIS-PRO-M598-SQ-CGOP-6300-940, IP66/IP50	4292	37	116	60	598x598x79	11,5
AL085441	ODIS-PRO-M598-SQ-CGOP-7200-940, IP66/IP50	4972	41	121	60	598x598x79	11,5
AL085442	ODIS-PRO-M598-SQ-CGOP-8700-940, IP66/IP50	5963	49	122	60	598x598x79	11,5
AL085443	ODIS-PRO-M598-SQ-CGOP-12000-940, IP66/IP50	8190	70	117	45	598x598x79	11,5
R940							
AL085468	ODIS-PRO-M598-R-CGOP-3300-940, IP66/IP50	2032	17	120	60	1198x298x79	11,5
AL085469	ODIS-PRO-M598-R-CGOP-4800-940, IP66/IP50	3016	27	112	60	1198x298x79	11,5
AL085470	ODIS-PRO-M598-R-CGOP-6300-940, IP66/IP50	3973	37	107	60	1198x298x79	11,5
AL085471	ODIS-PRO-M598-R-CGOP-7200-940, IP66/IP50	4579	41	112	60	1198x298x79	11,5
AL085472	ODIS-PRO-M598-R-CGOP-8700-940, IP66/IP50	5465	49	112	55	1198x298x79	11,5
AL085473	ODIS-PRO-M598-R-CGOP-12000-940, IP66/IP50	7578	70	108	45	1198x298x79	11,5

Tolerance of luminous flux and power input of the lighting fixture +/- 10%

CGOP - clear tempered safety glass + opal plexiglass



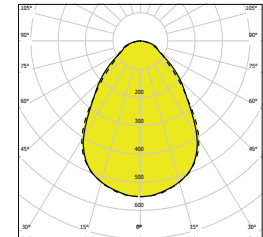
Order number	Name	Lighting fixture luminous flux (lm)	Power input (W)	Rated power output (lm/W)	Ta max (°C)	Dimensions of lighting fixture A x B x C (mm)	Weight (kg)
SQ840							
AL085144	ODIS-PRO-M598-SQ-CGMP-3300-840, IP66/IP50	2395	17	141	60	598x598x79	11,5
AL085145	ODIS-PRO-M598-SQ-CGMP-4800-840, IP66/IP50	3543	27	131	60	598x598x79	11,5
AL085146	ODIS-PRO-M598-SQ-CGMP-6300-840, IP66/IP50	4665	37	126	60	598x598x79	11,5
AL085147	ODIS-PRO-M598-SQ-CGMP-7200-840, IP66/IP50	5404	41	132	60	598x598x79	11,5
AL085148	ODIS-PRO-M598-SQ-CGMP-8700-840, IP66/IP50	6482	49	132	60	598x598x79	11,5
AL085149	ODIS-PRO-M598-SQ-CGMP-12000-840, IP66/IP50	8904	70	127	45	598x598x79	11,5
R840							
AL085174	ODIS-PRO-M598-R-CGMP-3300-840, IP66/IP50	2196	17	129	60	1198x298x79	11,5
AL085175	ODIS-PRO-M598-R-CGMP-4800-840, IP66/IP50	3262	27	121	60	1198x298x79	11,5
AL085176	ODIS-PRO-M598-R-CGMP-6300-840, IP66/IP50	4294	37	116	60	1198x298x79	11,5
AL085177	ODIS-PRO-M598-R-CGMP-7200-840, IP66/IP50	4950	41	121	60	1198x298x79	11,5
AL085178	ODIS-PRO-M598-R-CGMP-8700-840, IP66/IP50	5909	49	121	55	1198x298x79	11,5
AL085179	ODIS-PRO-M598-R-CGMP-12000-840, IP66/IP50	8196	70	117	45	1198x298x79	11,5
SQ940							
AL085444	ODIS-PRO-M598-SQ-CGMP-3300-940, IP66/IP50	2036	17	120	60	598x598x79	11,5
AL085445	ODIS-PRO-M598-SQ-CGMP-4800-940, IP66/IP50	3012	27	112	60	598x598x79	11,5
AL085446	ODIS-PRO-M598-SQ-CGMP-6300-940, IP66/IP50	3966	37	107	60	598x598x79	11,5
AL085447	ODIS-PRO-M598-SQ-CGMP-7200-940, IP66/IP50	4594	41	112	60	598x598x79	11,5
AL085448	ODIS-PRO-M598-SQ-CGMP-8700-940, IP66/IP50	5510	49	112	60	598x598x79	11,5
AL085449	ODIS-PRO-M598-SQ-CGMP-12000-940, IP66/IP50	7568	70	108	45	598x598x79	11,5
R940							
AL085474	ODIS-PRO-M598-R-CGMP-3300-940, IP66/IP50	1868	17	110	60	1198x298x79	11,5
AL085475	ODIS-PRO-M598-R-CGMP-4800-940, IP66/IP50	2772	27	103	60	1198x298x79	11,5
AL085476	ODIS-PRO-M598-R-CGMP-6300-940, IP66/IP50	3752	37	101	60	1198x298x79	11,5
AL085477	ODIS-PRO-M598-R-CGMP-7200-940, IP66/IP50	4210	41	103	60	1198x298x79	11,5
AL085478	ODIS-PRO-M598-R-CGMP-8700-940, IP66/IP50	5024	49	103	55	1198x298x79	11,5
AL085479	ODIS-PRO-M598-R-CGMP-12000-940, IP66/IP50	7066	70	101	45	1198x298x79	11,5

Tolerance of luminous flux and power input of the lighting fixture +/- 10%

CGMP - clear tempered safety glass + microprismatic plexiglass

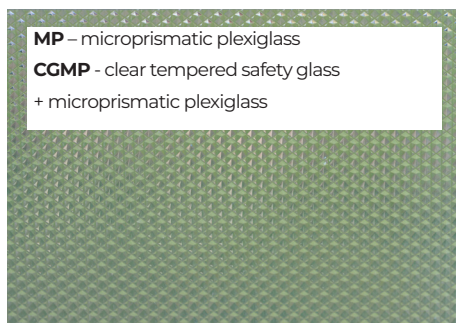
CGMP - clear tempered safety glass + microprismatic plexiglass

ODIS-PRO-M600-CGMP



— C0-C180 - - - C90-C270

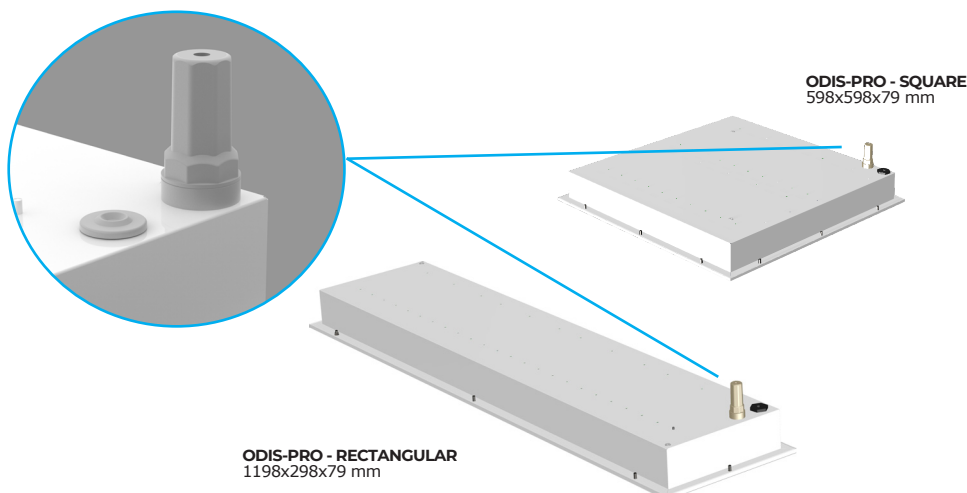
Diffuser options



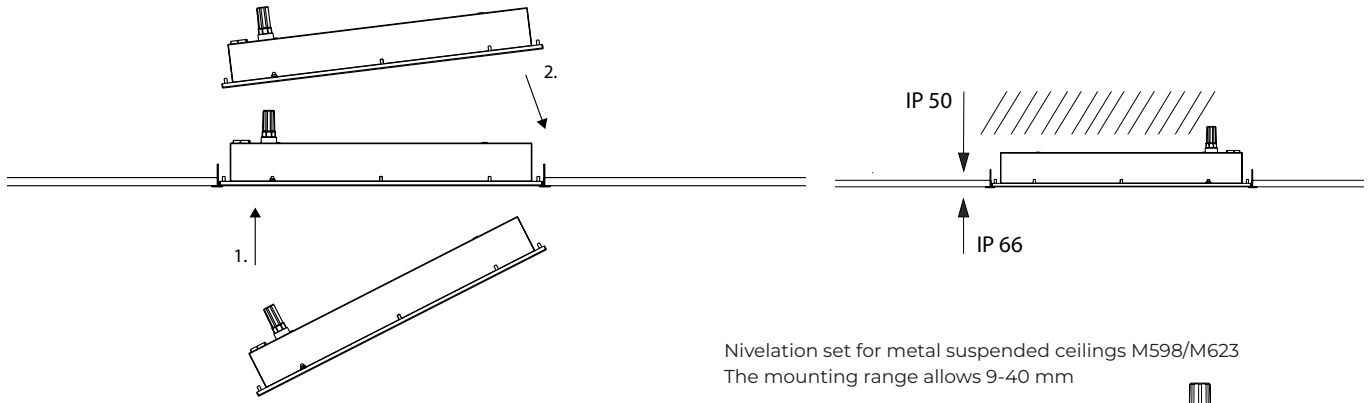
Lighting fixture detail

Integrated **ADELS CONNECTOR** allows for fast installation without a need to open luminaire. The luminaire will be connected to screwless terminal block and installed into false ceiling.

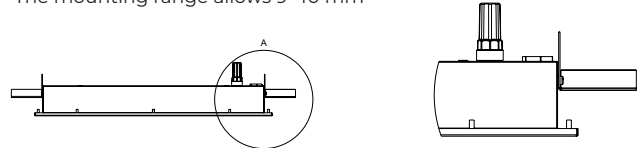
ROUNDED INNER EDGES OF THE FRAME - rounded inner edges eliminates the sediments of dust and impurities. This eliminates bacteriums creation and more easier cleaning of luminaire surface as well.



Easy and fast mounting



Nivelation set for metal suspended ceilings M598/M623
The mounting range allows 9-40 mm



Accessories on request

AL051232 - Set of safety suspension ODIS

On request

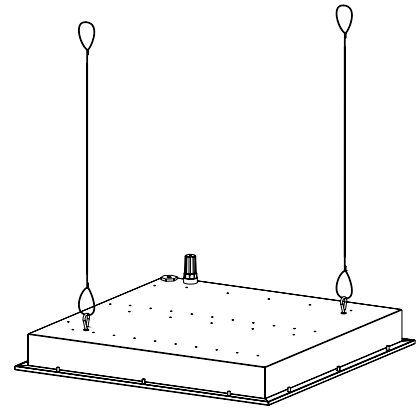
MULTI – maintained emergency lighting is always on (standard luminaire with emergency lighting module) (1h, 3h)

DIM – dimmable electronic ballast (DALI)

RAL – other colour scale

3000/4000/5000/6500 K – colour temperatures

CLICK – modification for a click system



Code of luminaire

ODIS-PRO-M598-SQ-GLM-3300-840,IP66/

name of luminaire	light source	type of ceiling	shape of luminaire R/SQ	type of diffuser	luminous flux of LED source	CRI and Tc value	protection from below	IP50 protection from above
-------------------	--------------	-----------------	-------------------------	------------------	-----------------------------	------------------	-----------------------	--------------------------------------