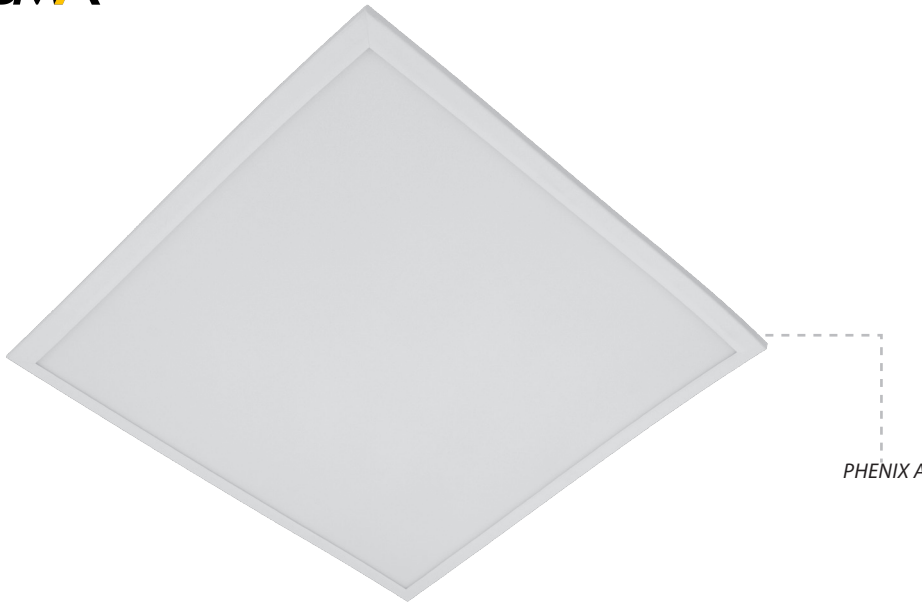
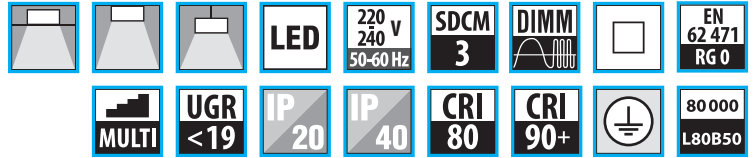
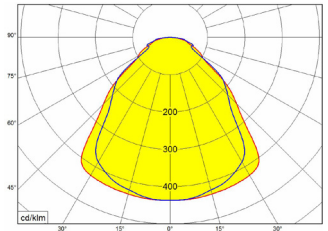


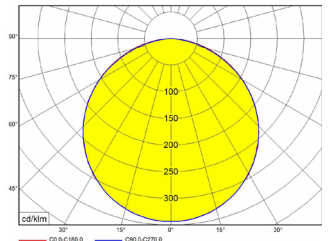
PHENIX



η_{ef} (lm/W)
109-140



PHENIX KN



PHENIX KO

LED panel

Body:
White painted (RAL 9003) aluminium frame

Optic:
Transluce acrylic desk
KO – opal cover
KN – microprismatic cover

Version (body shape)
A 600 (625) – square 600x600 mm (625x625)
B 600 – rectangle 600x300 mm
C 600 – rectangle 1200x300 mm

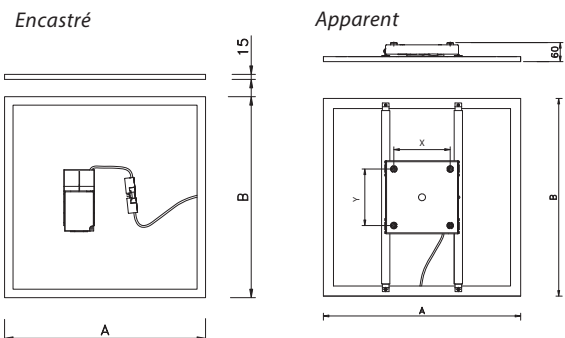
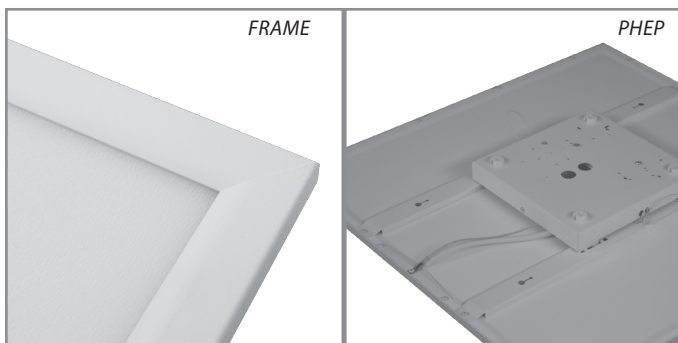
Installation way:
recessed installation into modular ceiling 600 or 625 mm. Using accessories the panel can be also installed as surface or recessed into a gypsum plasterboard.
surface or recessed installation into modular ceiling 600 or 625 mm.

Using accessories the panel can be also UNI 2 installed as pendant or recessed into a gypsum plasterboard

Accessories:
UQRAM – white painted aluminium frame for surface installation
ZH/UNI2 - universal 2-wires suspension
QVESTRAM – white painted aluminium frame for recessed installation into a gypsum plasterboard
51009913 – magnetic holder for surface installation on a gypsum plasterboard
VESTRAMA600 – white painted metal frame for recessed installation of QN or QPN into gypsum plasterboard ceiling
NM – independent emergency module
VESTSET – set of clips for recessed installation of QN or QPN into modular ceiling with hidden profiles

2200	2700	3000	4000	5700	6500	MIX	RGB	
✗	○	○	●	○	○	○	✗	✗
●	○	○	○	○	○	○	○	○

● default ○ optional ✗ not possible



Codes: PHE4000A3KN600/ND/90

PHENIX	4000	A	3	KN	600	/ND	/ND
Luminaire type PHE - recessed / pendant fitting PHE P - recessed / surface / pendant fitting	Light output	Body shape A - square - 600x600 mm B - rectangle - 600x300 mm C - rectangle - 300x1200 mm	Color temperature 3 = 3000K, 4 = 4000K, 5 = 5700K	Cover type: KN –microprizma KO – opal	Modul 600 625	Driver type: ND – no dimmable DALI – dimmable DALI NDMULTI - luminaire with switchable power	/90 - CRI90

PHENIX MULTI	W	lm		modul 600		modul 625		kg
		KO	KN	A	B	A	B	
PHE3000MULTI	20 - 28	2 400 - 3400	2 500 - 3 500	596	596	622	622	5,0
PHE5000MULTI	33 - 39	3 900 - 5 000	4 000 - 5 100					

PHENIX	W	lm		modul 600		modul 625		kg
		KO	KN	A	B	A	B	
PHE3000A	24	3 000	3 100	596	596	622	622	5,0
PHE4000A	35	4 400	4 500					
PHE5000A	49	5 500	5 700					
PHE6000A	57	6 300	6 600					
PHE2000B	16	1 800	1 900	596	296	622	310	2,8
PHE4000B	35	3 700	3 900					
PHE4000C	35	4 100	4 200					
PHE6000C	57	6 200	6 400	1196	296	1245	310	5,0
PHE3000A / 90	24	x	2 650					
PHE4000A / 90	35	x	3 950					
PHE5000A / 90	49	x	5 000					
PHE6000A / 90	57	x	5 650	1196	596	1245	622	10,2
PHE6000D	46	5 800	5 900					
PHE8000D	70	8 500	8 700					

PHENIX PRO	W	lm		modul 600		modul 625		kg
		KO	KN	A	B	A	B	
PHE3000PRO	19	3000	3 100	596	596	622	622	5,0
PHE4000PRO	26	4 100	4 200					

PHENIX P	W	lm		modul 600		modul 625		X/R	Y/S	kg
		KO	KN	A	B	A	B			
PHEP3000A	24	3 000	3 100	596	596	622	622	170	170	5,3
PHEP4000A	35	4 400	4 500							
PHEP5000A	49	5 500	5 700							
PHEP6000A	57	6 300	6 600							
PHEP4000C	35	4 100	4 200	1196	296	1245	310	410	90	
PHEP6000C	57	6 200	6 400							