



S P O T E C 5 0

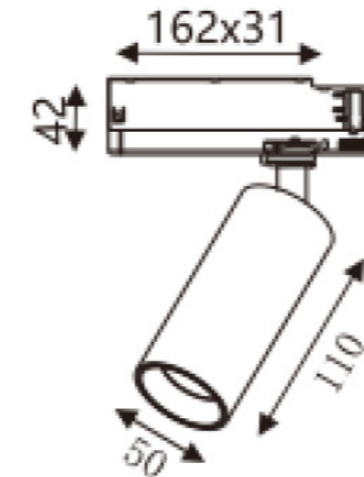
DATASHEET



SPOTEC 50



COLOR OPTIONS



PRODUCT DATA

Size : D50 x 110mm
 Weight : 0,4 kg
 Materials : Housing : Aluminium
 Optic: Polycarbonate
 Optic : Lens, Reflecto
 Light distribution : 15°, 24°, 36°, 50°
 Driver : FIX, DALI, Bluetooth (inside the luminaire)
 Ambient temperature : 0 / + 35 °C
 Lifetime : L80B10 - 60 000 hours
 Installation : Track mounted, surface mounted



TECHNICAL SPECIFICATION

CODE	POWER	CRI	CCT	LUMEN
SPOTS50	12 W	> 90	2700 K	920 lm
SPOTS50	12 W	> 90	3000 K	980 lm
SPOTS50	12 W	> 90	4000 K	1020 lm

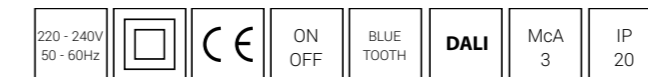
Order example:

SPOTS50	- Power	-	CRI / CCT	-	Beam	-	Color	-	Driver	-	Option
SPOTS50	- 12	-	930	-	36	-	9003	-	FIX	-	XYZ

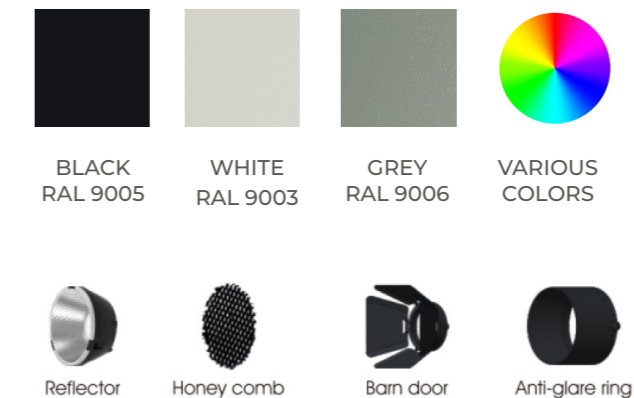


S P O T E C 8 5

SPOTEC 85



COLOR OPTIONS



TECHNICAL SPECIFICATION

CODE	POWER	CRI	CCT	LUMEN
SPOTS85	25 W	> 90	2700 K	2450 lm
SPOTS85	25 W	> 90	3000 K	2600 lm
SPOTS85	25 W	> 90	2700 - 6500K + RGB	2450 lm

Order example:

SPOTS85	-	Power	-	CRI / CCT	-	Beam	-	Color	-	Driver	-	Option
SPOTS85	-	25	-	TWRGB	-	36	-	9003	-	FIX	-	XYZ

PRODUCT DATA

Size : D85 x 222mm
 Weight : 0,8 kg
 Materials : Housing : Aluminium
 Optic: Polycarbonate
 Optic : Lens
 Light distribution : 24°, 36°, 55°
 Driver : FIX, DALI, Bluetooth (inside the luminaire)
 Ambient temperature : 0 / + 35 °C
 Lifetime : L90B10 - 60 000 hours
 Installation : Track mounted, surface mounted

