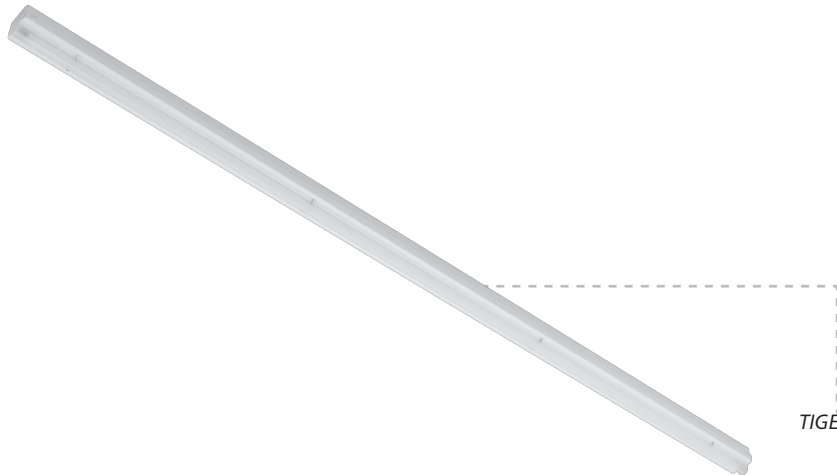
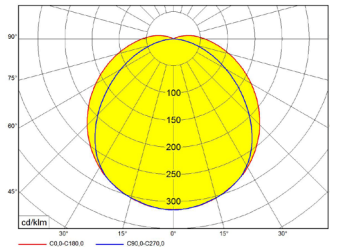


TIGE

ALUMA





LED linear fittings

Body:
White painted (RAL 9003) metal sheet

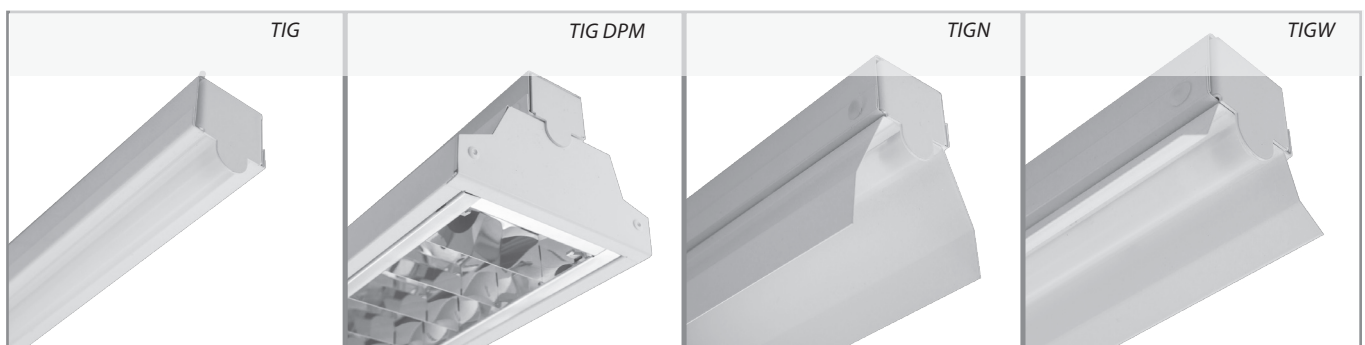
Optic:
KV opal cover of LED modules
TIG – without reflector
TIGN – white painted reflector – narrow beam
TIGW – white painted reflector – wide beam
TIGDPM – matparabolic aluminium louvre

Application:
Surface or pendant installation
Can be installed in line, TIG R (wider body)

Accessories:
ZH/UNI4 – universal 4-wires suspension set (one set for 2 luminaires)
TIGSPOJ linear junction set
TIGHAK suspension for chain
TIG1LKV/R - „blind” part without electrocomponents

2200	2700	3000	4000	5700	6500	MIX	RGB	
×	○	○	●	○	○	○	×	○
●	○	○	○	×	×	×	×	○

● default ○ optional × not possible

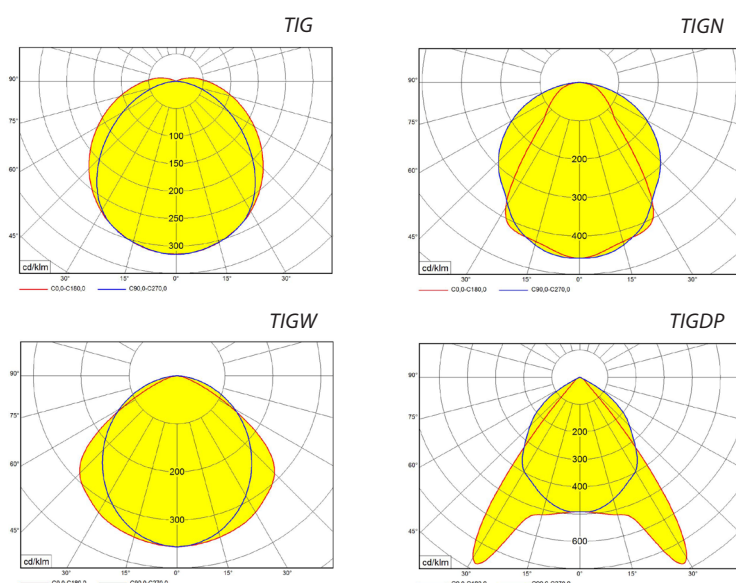


Codes: TIG5000L3/ND/R

TIG	5000	L	3	/ND	/R
Luminaire type TIG – without reflector TIGN – narrow beam TIGW – wide beam TIG DPM – reflector with louvre	Light output	body length: S = 600 mm XM = 750 mm M = 1200 mm L = 1500 mm	Color temperature 3 = 3000K, 4 = 4000K, 5 = 5700K	Driver type: ND – no dimmable DALI – dimmable DALI	continuous assembly to line

code	W	lm	lm/W	lm/m	length
LOW POWER					
TIG1500S	10	1500	150	2 500	605
TIG3000M	21	3200	152		1186
STANDARD					
TIG2000S	14	2100	150	3 500	605
TIG2500 XM	18	2550	142		750
TIG4000M	27	4100	152		1186
TIG5000L	34	5200	153		1484
HIGH POWER					
TIG3000S	21	3000	143	5 000	605
TIG3500 XM	27	3800	141		750
TIG5500M	42	5800	138		1186
TIG7000L	50	7250	145		1484
EXTRA HIGH POWER					
TIG5000 XM	35	5100	146	6 700	750
TIG10000L	69	9900	143		1484

To keep an uniform luminance of whole fittings line, luminaires must be used with the same power (lm/m)




TIGE - without reflector

			A	B	C	X	R	kg
TIG1500S	10	1500	605	38 (46 TIG /R)	47	500	545	0,8
TIG3000M	21	3200	1186	38 (46 TIG /R)		900	1095	1,4
TIG2000S	14	2100	605	38 (46 TIG /R)		500	545	0,8
TIG2500 XM	18	2550	750	38 (46 TIG /R)		650	690	1
TIG4000M	27	4100	1186	38 (46 TIG /R)		900	1095	1,4
TIG5000L	34	5200	1484	38 (46 TIG /R)		1200	1395	2
TIG3000S	21	3000	605	38 (46 TIG /R)		500	545	0,8
TIG3500 XM	27	3800	750	38 (46 TIG /R)		650	690	1
TIG5500M	42	5800	1186	38 (46 TIG /R)		900	1095	1,4
TIG7000L	50	7250	1484	38 (46 TIG /R)		1200	1395	2
TIG5000 XM	35	5100	750	38 (46 TIG /R)		650	690	1
TIG10000L	69	9900	1484	38 (46 TIG /R)		1200	1395	2


TIGE N - narrow beam reflector

			A	B	C	X	R	kg
TIGN1500S	10	1400	605	61	84	500	545	1,2
TIGN3000M	21	2900	1186			900	1095	2
TIGN2000S	14	1950	605			500	545	1,2
TIGN2500 XM	18	2350	750			650	690	1,5
TIGN4000M	27	3800	1186			900	1095	2
TIGN5000L	34	4800	1484			1200	1395	3
TIGN3000S	21	2800	605			500	545	1,2
TIGN3500 XM	27	3500	750			650	690	1,5
TIGN5500M	42	5350	1186			900	1095	2
TIGN7000L	50	6700	1484			1200	1395	3
TIGN5000 XM	35	4600	750			650	690	1,5
TIGN10000L	69	9150	1484			1200	1395	3


TIGE W - wide beam reflector

			A	B	C	X	R	kg
TIGW1500S	10	1450	605	59	57	500	545	1,2
TIGW3000M	21	3000	1186			900	1095	2
TIGW2000S	14	2000	605			500	545	1,2
TIGW2500 XM	18	2400	750			650	690	1,5
TIGW4000M	27	3900	1186			900	1095	2
TIGW5000L	34	4900	1484			1200	1395	3
TIGW3000S	21	2900	605			500	545	1,2
TIGW3500 XM	27	3600	750			650	690	1,5
TIGW5500M	42	5450	1186			900	1095	2
TIGW7000L	50	6800	1484			1200	1395	3
TIGW5000 XM	35	4700	750			650	690	1,5
TIGW10000L	69	9300	1484			1200	1395	3


TIGE DPM - reflector with louvre

			A	B	C	X	R	kg
TIGDPM3000M	21	2300	1186	59	87	900	1095	2,5
TIGDPM2500 XM	18	1850	750			650	690	1,8
TIGDPM4000M	27	3000	1186			900	1095	2,5
TIGDPM5000L	34	3800	1484			1200	1395	3,5
TIGDPM3500 XM	27	2800	750			650	690	1,8
TIGDPM5500M	42	4200	1186			900	1095	2,5
TIGDPM7000L	50	5250	1484			1200	1395	3,5
TIGDPM5000 XM	35	3700	750			650	690	1,8
TIGDPM10000L	69	7300	1484			1200	1395	3,5

lm – luminaire light output

TIGE /R

Continuous assembly in a line

Surface or pendant installation

Fittings are equipped with continuous 5-poles wiring 5x1,5 mm² with connectors

Non-dimmable fittings have black connectors and allow 3-phase connection

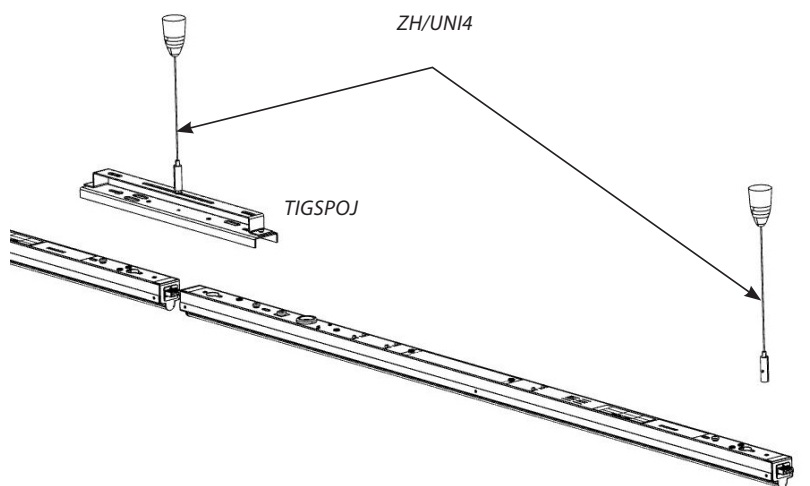
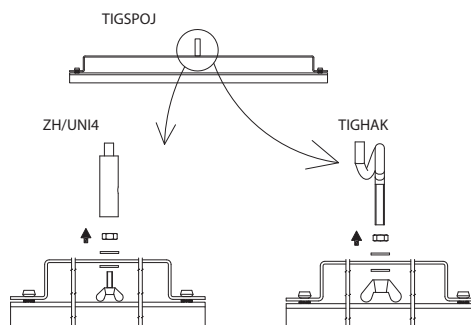
Dimmable fittings have blue connectors and allow 1-phase connection with DALI control

Fittings L (1500 mm) and M (1200 mm) have connectors at both ends and contain a plastic cap for covering of connectors gap

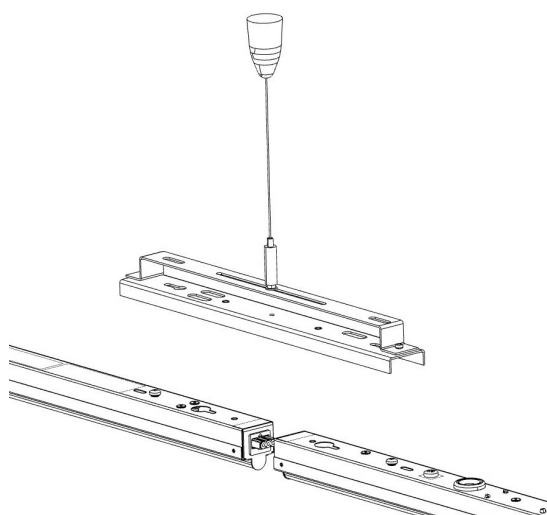
Fittings S (600 mm) or XM (750 mm) can be used only at the beginning (START) or end of a row (END), they have a connector in only one face

To keep an uniform luminance of whole fittings line, luminaires must be used with the same brightness - same power lm /m

For surface mounted installation of lines is not necessary to use the connection part TIGSPOJ.



TIGSPOJ



Dimensional table of mounting in lines:

	R1	R2	X
TIG_S/R	555	605	465
TIG_XM/R	654	750	630
TIG_M/R	1090	1186	1 066
TIG_L/R	1390	1486	1 366

